

Adept Quattro s650HS



The Adept Quattro™ s650HS is the only high-speed parallel robot in the world that has been USDA-accepted for meat and poultry processing. The patented four-arm design, advanced control algorithms, and large work envelope make the Adept Quattro the ideal overhead-mount robot for smooth motion, high-throughput applications. The Adept Quattro is powered by ultra-compact controls and embedded amplifiers, which reduces the cycle time and improves footprint efficiency.

Product Features and Benefits

- USDA-compliant materials are Generally Recognized As Safe (GRAS)
- Smooth surfaces eliminate areas that harbor bacteria growth
- A completely sealed mechanism prevents ingress/ egress of contaminants
- Tool-less removal of platform and outer arms reduces time required for cleaning
- Patented four-arm design delivers higher speeds for greater throughput
- Highly visible parts and surfaces simplifies inspections
- Compact controls and embedded amplifiers allow for easier installation with a decreased footprint
- Conveyor tracking with vision guidance ensures accurate part location for increased yields
- Adept ACE™ software simplifies development for faster time to market
- Ethernet TCP/IP and DeviceNet capabilities



The Adept Quattro s650HS robot comes with the high-performance Adept SmartController™ motion controller, which is based on the Adept SmartServo architecture. It has a small footprint of 329w x 187d x 86h mm.

Specifications

Number of Axes	4
Payload	
Rated	2 kg
Max.	6 kg (Up to 15kg with P30)
Max Working Range (see diagram for details)	
Diameter	1300 mm
Height	500 mm
Rotation	0° (fixed) (P30)
(platform dependent)	± 46.25° (P31)
	± 92.5° (P32)
	± 185° (P34)
Repeatability	± 0.1 mm (Uni-directional)
	± 0.2°, 0.6° (P31, P34)
Max. Speed	10 m/s
	3600°/s
Max. Acceleration	150 m/s ²

Robot Cycle Times, sustained (seconds, at 20°C ambient)

Payload	Std. Cycle*	Extd. Cycle**
0.1 kg	0.30	0.46
1.0 kg	0.36	0.47
2.0 kg	0.37	0.52
4.0 kg	0.41	0.58
6.0 kg	0.43	0.61

* Adept Cycle, in mm (25/305/25)

** Extended Cycle, in mm (25/700/25)

Digital I/O Channels

eAIB: 12 inputs, 8 outputs

Power Requirements

24 VDC : 6A
200 - 240 VAC : 10A, single-phase

Ingress Protection

Base: IP-65/66 (optional)
Tooling Area: IP-67

Mounting

Inverted

Environmental Requirements

Ambient Temperature 1 - 40 °C
Humidity Range 5 - 90 % (non-condensing)

Weight

117 kg

CE Compliant

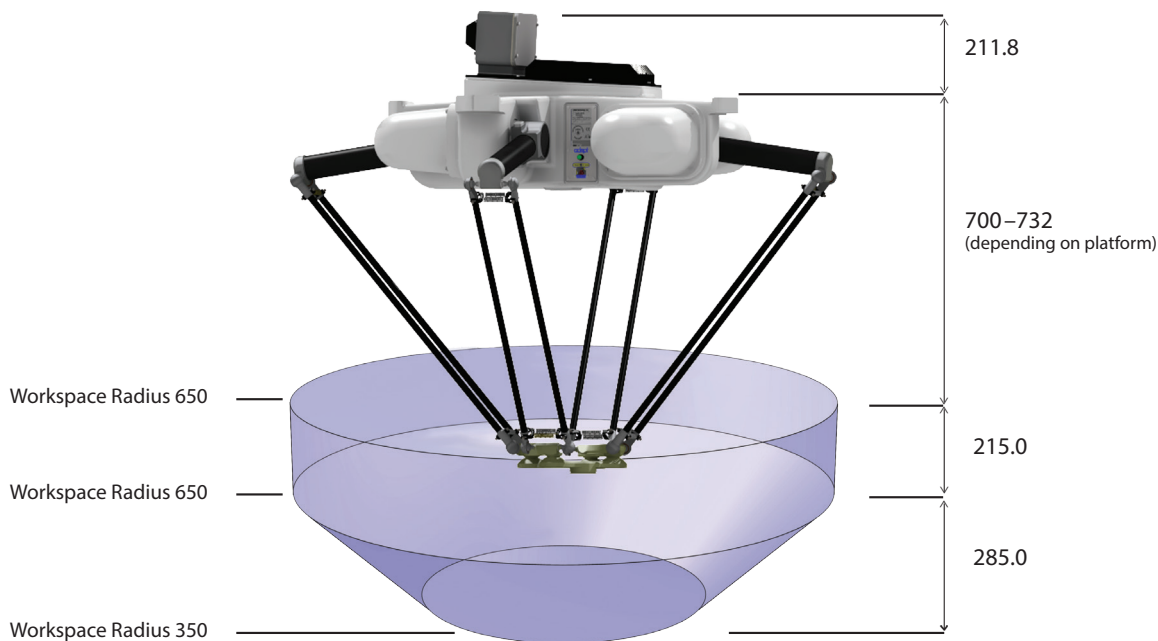
Quattro ePLC650HS:

USDA-Accepted for meat and poultry processing

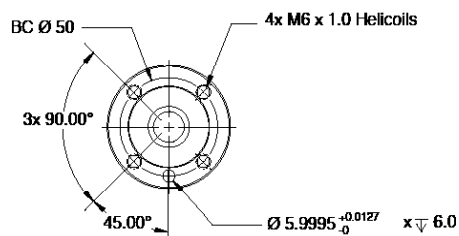


ADEPT QUATTRO s650HS

Dimensions: Adept Quattro s650HS (mm)



Dimensions: Flange (mm)



The Adept Quattro s650HS system includes the following:

- Adept Quattro robot with eAIB (Amplifiers In Base)
- Adept SmartController™ motion controller (with eV+ software installed)
- P30 (fixed), P31, P32, or P34 rotational platform
- Front Panel with E-Stop
- Adept ACE™ software
- User documentation

The Adept Quattro s650HS robot was tested to withstand the following cleaning solutions at manufacturers' recommended concentrations:

- Dura Foam 263
- Chloro Clean 269
- Multiquat 455
- Liquid Fury
- Enrich 299

Downloads:

Download CAD files for the Adept Quattro s650HS Robot from <http://www.adept.com/>

The user must supply the following:

- Power to SmartController (DC)
- Power to eAIB (AC and DC)
- Emergency-stop wiring at each workcell
- End-effectors
- Frame and cable tray for mounting the robot

Options:

- ACE PackXpert™ application development software
- AdeptSight™ 3 vision guidance and inspection system (requires a PC - Adept recommends the Adept SmartVision™ MX)
- Cameras for vision guidance
- V+ Extensions license for conveyor tracking
- T20 manual control pendant



Omron Adept Technologies, Inc.

Tel: 925-245-3400 Fax: 925-960-0452 Email: info@adept.com

omron247.com adept.com

Specifications subject to change without notice.

©2015 Adept Technology, Inc. ALL RIGHTS RESERVED. The information provided in this communication or document is the property of Adept Technology, Inc. and is protected by copyright and other intellectual property laws. In addition, any references to any Adept Technology, Inc. products are the marks and property of Adept Technology, Inc. [and may be registered trademarks]. All other trademarks or tradenames are the property of their respective holders.